



Micro Commercial Components

Micro Commercial Components
 20736 Marilla Street Chatsworth
 CA 91311
 Phone: (818) 701-4933
 Fax: (818) 701-4939

TIP32/32A/32B/32C

Features

- Lead Free Finish/RoHS Compliant(Note 1) ("P" Suffix designates RoHS Compliant. See ordering information)
- The complementary NPN types are the TIP31 respectively
- Case Material: Molded Plastic. UL Flammability Classification Rating 94V-0 and MSL Rating 1
- Marking : Part Number

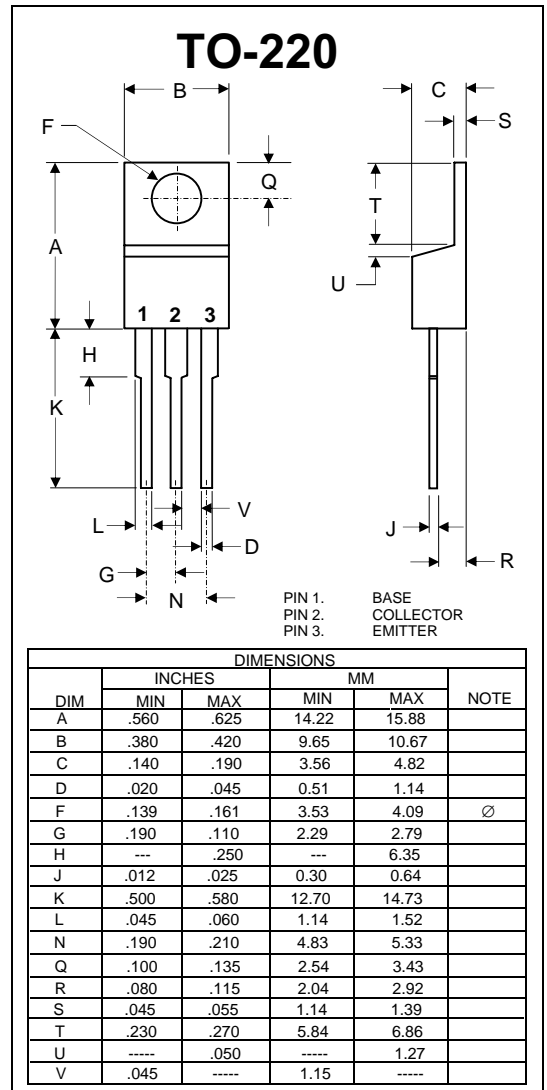
Silicon PNP Power Transistors

Absolute Maximum Ratings @ T_a = 25°C (unless otherwise noted)

Symbol	Parameter	Value	Unit
V _{CB0} TIP32 TIP32A TIP32B TIP32C	Collector-base voltage (Open emitter)	-40 -60 -80 -100	V
V _{CE0} TIP32 TIP32A TIP32B TIP32C	Collector-emitter voltage (Open base)	-40 -60 -80 -100	V
V _{EBO}	Emitter-base Voltage (Open collector)	-5	V
I _C	Collector Current	-3	A
I _{CM}	Collector Current Pulse	-5	A
I _B	Base Current	-1	A
P _C	Total Device Dissipation(T _a =25°C)	2	W
	Total Device Dissipation(T _c =25°C)	40	W
T _J	Junction Temperature	150	°C
T _{STG}	Storage Temperature Range	-65 to +150	°C

Electrical Characteristics @ 25°C Unless Otherwise Specified

Symbol	Parameter	Min	Max	Units
V _{CE0(SUS)} TIP32 TIP32A TIP32B TIP32C	Collector-emitter sustaining voltage (I _C =-30mA; I _B =0)	-40 -60 -80 -100		V
V _{CE(sat)}	Collector-emitter Saturation Voltage (I _C =-3A I _B =-0.375A)		-1.2	V
V _{BE}	Base-emitter Voltage (I _C =-3A; V _{CE} =-4V)		-1.8	V
I _{CES} TIP32 TIP32A TIP32B TIP32C	Collector cut-off current (V _{CE} =-40V; V _{EB} =0) (V _{CE} =-60V; V _{EB} =0) (V _{CE} =-80V; V _{EB} =0) (V _{CE} =-100V; V _{EB} =0)		-0.2	mA
I _{CEO} TIP32/32A TIP32B/C	Collector cut-off current (-V _{CE} =30V; V _{EB} =0) (-V _{CE} =60V; V _{EB} =0)		-0.3	mA
I _{EBO}	Emitter cut-off current (-V _{EB} =5V; I _C =0)		-1.0	mA
H _{fe}	DC current gain (I _C =-1A; V _{CE} =-4V) (I _C =-3A; V _{CE} =-4V)	25 10	50	
f _T	Transition frequency (I _C =-0.5A; V _{CE} =-10V)	3		MHZ



Notes:1.High Temperature Solder Exemption Applied, see EU Directive Annex 7.



Micro Commercial Components

Ordering Information

Device	Packing
(Part Number)-BP	Bulk;1Kpcs/Box

*****IMPORTANT NOTICE*****

Micro Commercial Components Corp . reserve the right to make changes without further notice to any product herein to make corrections, modifications , enhancements , improvements , or other changes .
Micro Commercial Components Corp . does not assume any liability arising out of the application or use of any product described herein; neither does it convey any license under its patent rights ,nor the rights of others . The user of products in such applications shall assume all risks of such use and will agree to hold *Micro Commercial Components Corp* . and all the companies whose products are represented on our website, harmless against all damages.

*****LIFE SUPPORT*****

MCC's products are not authorized for use as critical components in life support devices or systems without the expresse written approval of Micro Commercial Components Corporation.